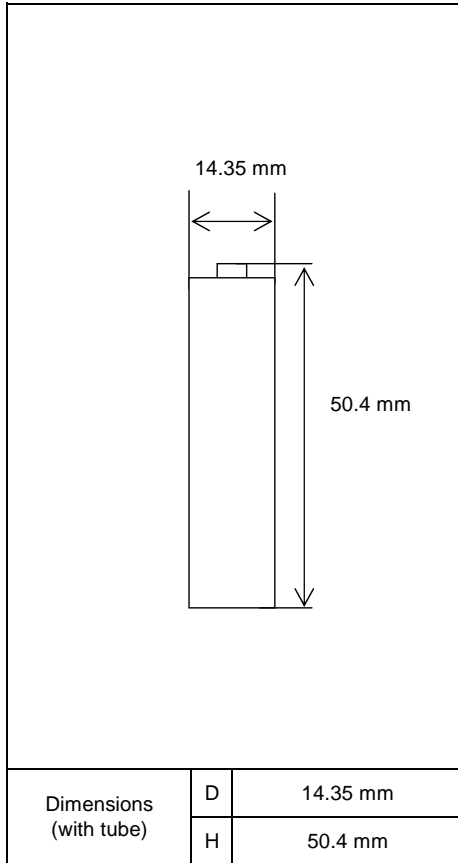


Specifications



Type : Nickel-Metal Hydride Battery		Size : AA Consumer Type	
Capacity ¹⁾	Typical	2500mAh	
	Minimum	2300mAh	
Nominal Voltage		1.2V	
Charging Current x Time	Fast Charge ²⁾	2500mA × 1.1h	
Ambient Temp.	Charge Condition	Fast Charge ²⁾	
	Discharge Condition	0°C - 40°C	
	Storage Condition	Less than 30days	0°C - 50°C
		Less than 90days	-20°C - 50°C
Less than 1year		-20°C - 40°C	
Internal Impedance ³⁾ (after discharge to E.V.=1.0V)		Approx. 25mΩ (at 1000Hz)	
Weight ⁴⁾		Approx. 30 g	
Size ⁴⁾ : (Diameter) x (Height)		14.35(D) x 50.4(H) mm	

1) Single cell capacity under the following condition.

Charge : 250mA x 16h, Discharge : 500mA (E.V.=1.0V) at 20°C

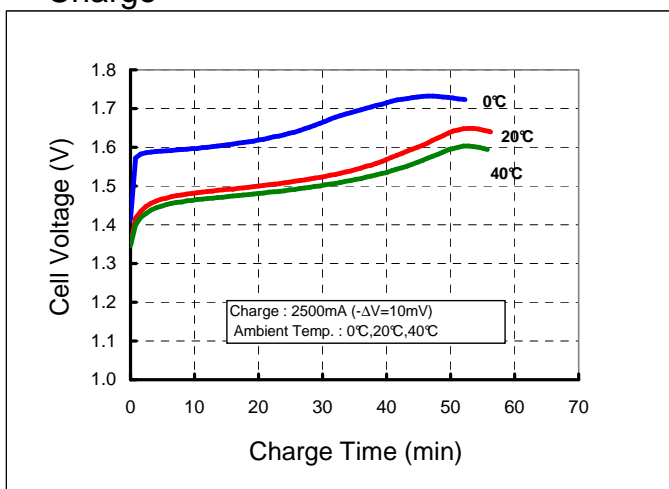
2) Use recommended charging system.

3) After a few charge and discharge cycles under the above 1) condition.

4) With tube.

Typical Characteristics

Charge



Discharge

